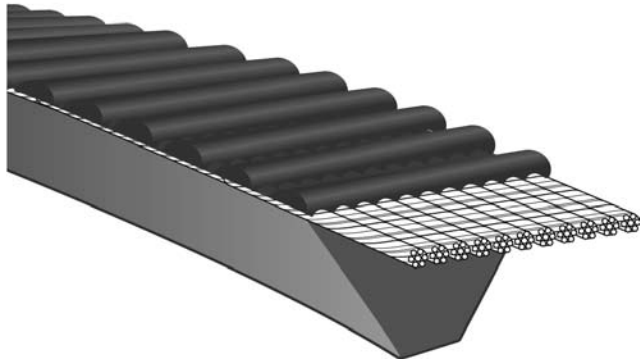




# NEOTHANE®



V - B E L T

Part No: 5M 710

5M 5 mm Top Width

710 710 mm Nominal Outside Length

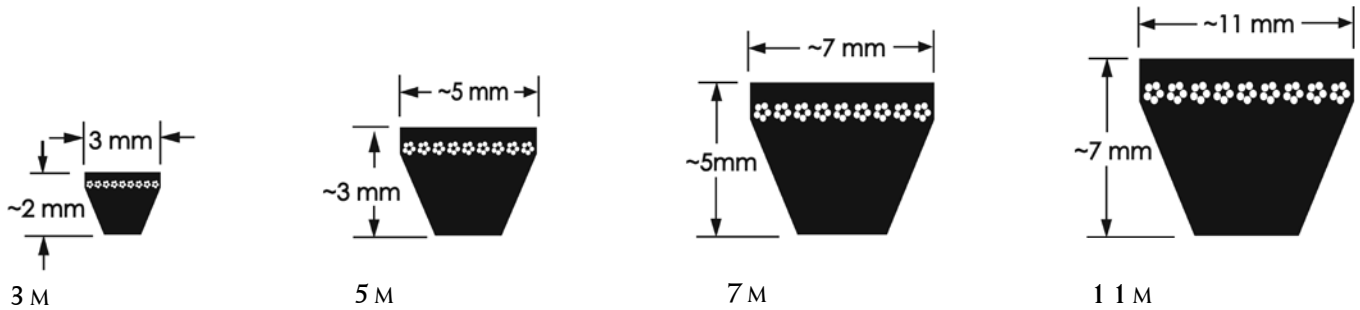
## APPLICATIONS

Specialty belt for specific types of machines and equipment.

- Machine Tools
- Appliances
- Computer Industry
- Blowers
- Woodworking Machines
- Medical Industry

## KEY FEATURES & BENEFITS

- Ribbed top for transverse rigidity, flexibility and cool running conditions.
- Narrow top width for use on narrow, small diameter sheaves and exceptional flexibility on short centers.
- Cords are resistant to elongation or shrinkage, provide great strength and long flex life.
- Polyurethane compounding for firmer grip, greater strength and high resistance to oil, heat, abrasion, ozone and fatigue.
- Smooth machine sides for quiet running, vibration-free operation and uniform grip.
- Sixty-degree angle cross section for uniform support that keeps the load carrying cord in the same plane pulling together.



Neothane belts available on request. Please contact Goodyear PTP marketing.

# NEOTHANE®

## 3M NOMINAL TOP WIDTH 3 MM

Belt reference	Eff. length Le (mm)	Belt reference	Eff. length Le (mm)	Belt reference	Eff. length Le (mm)	Belt reference	Eff. length Le (mm)	Belt reference	Eff. length Le (mm)
3M180	180	3M243	243	3M335	335	3M462	462	3M630	630
3M185	185	3M250	250	3M345	345	3M475	475	3M650	650
3M190	190	3M258	258	3M355	355	3M487	487	3M670	670
3M195	195	3M265	265	3M365	365	3M500	500	3M690	690
3M200	200	3M272	272	3M375	375	3M515	515	3M710	710
3M206	206	3M280	280	3M387	387	3M530	530	3M730	730
3M212	212	3M290	290	3M400	400	3M545	545	3M750	750
3M218	218	3M300	300	3M412	412	3M560	560		
3M224	224	3M307	307	3M425	425	3M580	580		
3M230	230	3M315	315	3M437	437	3M600	600		
3M236	236	3M325	325	3M450	450	3M615	651		

## 5M NOMINAL TOP WIDTH 5 MM

Belt reference	Eff. length Le (mm)	Belt reference	Eff. length Le (mm)	Belt reference	Eff. length Le (mm)	Belt reference	Eff. length Le (mm)	Belt reference	Eff. length Le (mm)
5M280	280	5M412	412	5M600	600	5M875	875	5M1250	1250
5M290	290	5M425	425	5M615	615	5M900	900	5M1280	1280
5M300	300	5M437	437	5M630	630	5M925	925	5M1320	1320
5M307	307	5M450	450	5M650	650	5M950	950	5M1360	1360
5M315	315	5M462	462	5M670	670	5M975	975	5M1400	1400
5M325	325	5M475	475	5M690	690	5M1000	1000	5M1450	1450
5M335	335	5M487	487	5M710	710	5M1030	1030	5M1500	1500
5M345	345	5M500	500	5M730	730	5M1060	1060	5M1600	1600
5M355	355	5M515	515	5M750	750	5M1090	1090	5M1650	1650
5M365	365	5M530	530	5M775	775	5M1120	1120	5M1850	1850
5M375	375	5M545	545	5M800	800	5M1150	1150		
5M387	387	5M560	560	5M825	825	5M1180	1180		
5M400	400	5M580	580	5M850	850	5M1220	1220		

## 7M NOMINAL TOP WIDTH 7 MM

Belt reference	Eff. length Le (mm)	Belt reference	Eff. length Le (mm)	Belt reference	Eff. length Le (mm)	Belt reference	Eff. length Le (mm)	Belt reference	Eff. length Le (mm)
7M500	500	7M690	690	7M950	950	7M1280	1280	7M1800	1800
7M515	515	7M710	710	7M975	975	7M1320	1320	7M1850	1850
7M530	530	7M730	730	7M1000	1000	7M1360	1360	7M1900	1900
7M545	545	7M750	750	7M1030	1030	7M1400	1400	7M1950	1950
7M560	560	7M775	775	7M1060	1060	7M1450	1450	7M2000	2000
7M580	580	7M800	800	7M1090	1090	7M1500	1500	7M2060	2060
7M600	600	7M825	825	7M1120	1120	7M1550	1550	7M2120	2120
7M615	615	7M850	850	7M1150	1150	7M1600	1600	7M2180	2180
7M630	630	7M875	875	7M1180	1180	7M1650	1650	7M2240	2240
7M650	650	7M900	900	7M1220	1220	7M1700	1700	7M2300	2300
7M670	670	7M925	925	7M1250	1250	7M1750	1750		

## 11M NOMINAL TOP WIDTH 11 MM

Belt reference	Eff. length Le (mm)	Belt reference	Eff. length Le (mm)	Belt reference	Eff. length Le (mm)	Belt reference	Eff. length Le (mm)	Belt reference	Eff. length Le (mm)
11M710	710	11M925	925	11M1180	1180	11M1550	1550	11M2000	2000
11M730	730	11M950	950	11M1220	1220	11M1600	1600	11M2060	2060
11M750	750	11M975	975	11M1250	1250	11M1650	1650	11M2120	2120
11M775	775	11M1000	1000	11M1280	1280	11M1700	1700	11M2180	2180
11M800	800	11M1030	1030	11M1320	1320	11M1750	1750	11M2240	2240
11M825	825	11M1060	1060	11M1360	1360	11M1800	1800	11M2300	2300
11M850	850	11M1090	1090	11M1400	1400	11M1850	1850		
11M875	875	11M1120	1120	11M1450	1450	11M1900	1900		
11M900	900	11M1150	1150	11M1500	1500	11M1950	1950		

V - BELT